

# ASK Transmitter Module

## General Description:

## 315/434 MHz ASK TRANSMITTER

The JMR-TX1 is an ASK Hybrid transmitter module.

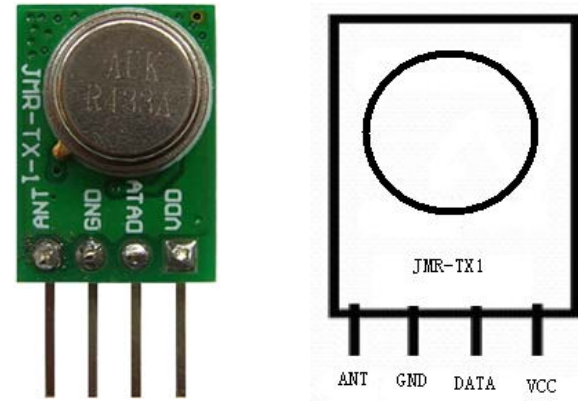
JMR-TX1 is designed by the Saw Resonator, with an effective low cost, small size, and simple-to-use for designing.

Frequency Range:315 / 433.92 MHZ.

Supply Voltage: 3~12V.

Output Power : 4~16dBm

Circuit Shape: Saw



## Applications

- ⌚ Car security system
- ⌚ Remote keyless entry
- ⌚ Garage door controller
- ⌚ Home security
- ⌚ Wireless mouse
- ⌚ Automation system

## Product Identification

315MHZ	JMR-TX1-315M
433.92MHZ	JMR-TX1-433M

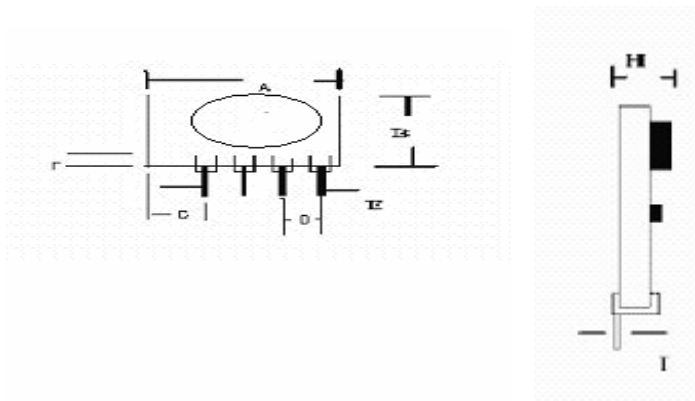
## Absolute Maximum Ratings

Parameter	Rating	Rating
Supply Voltage	2.2—12.0	V DC
Operating Temperature	-20 to +85	°C

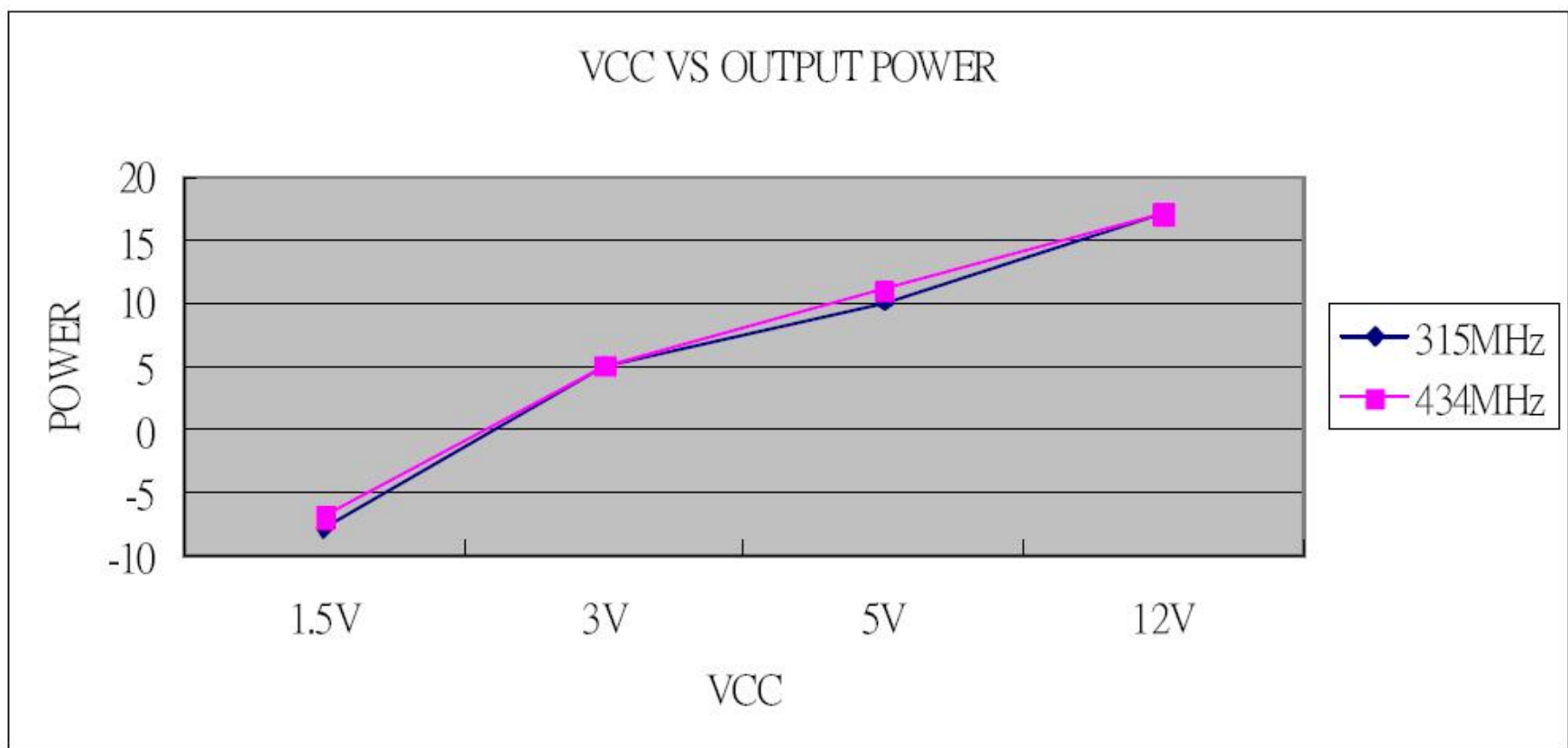
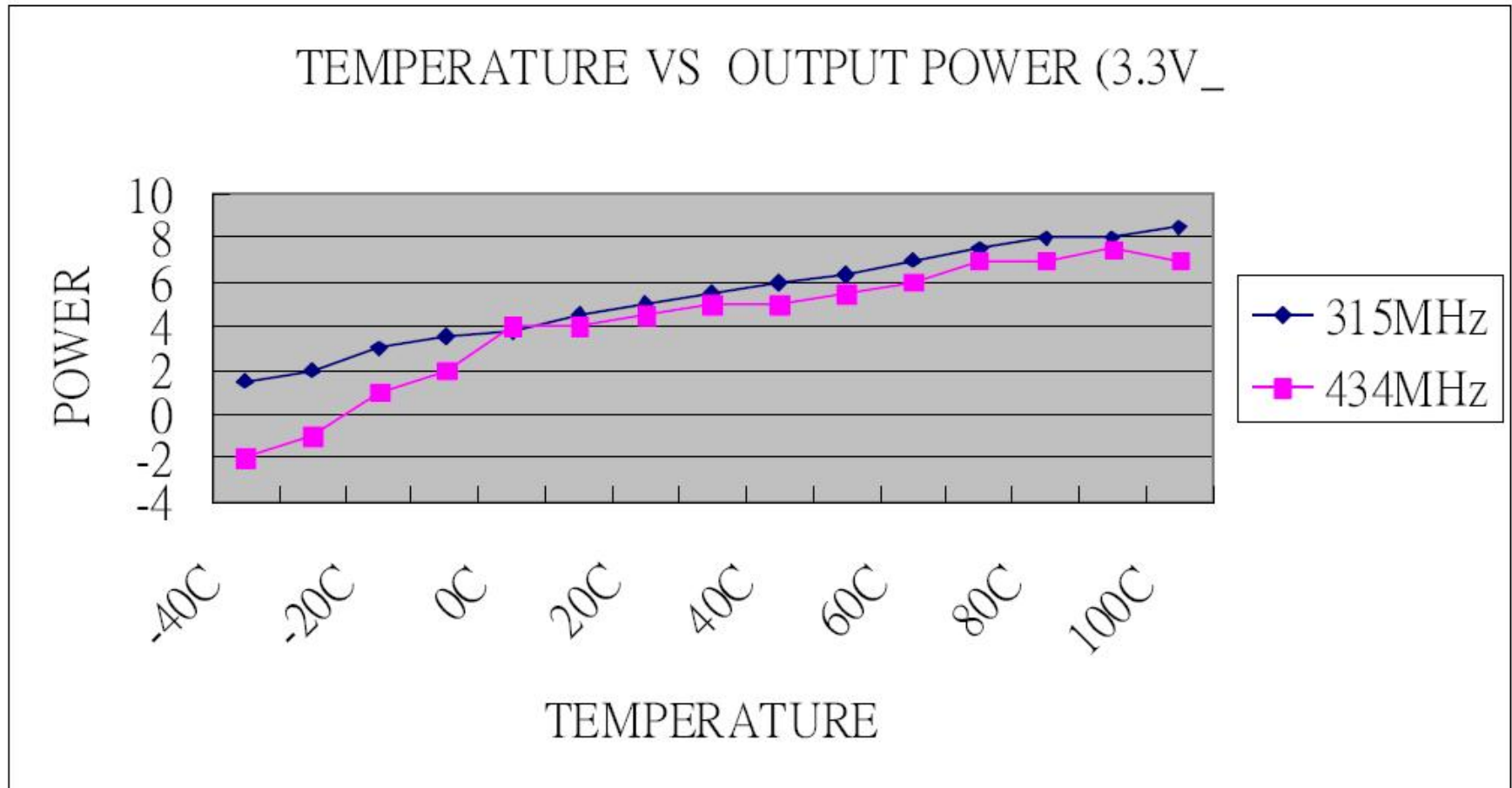
### Absolute Maximum Ratings

Parameter	Symbol	Condition	Specification				Unit	
			Min.	Typical		Max.		
Operation Voltage				3V	5V	12V		V
Output power	Psens	DATA 5V	315MHz	4	10	16		dBm
			Supply current	11	20	57		mA
		1Kbps Data Rate	434MHz	4	10	16		dBm
			Supply current	11	22	59		mA
Tune on Time	Ton	Data start out by Vcc turn on	10	20			ms	
Data Rate			200	1k		3k	bps	
Input duty		Vcc=5V; 1kbps data rate	40			60	%	
Temperature			-20			+80	°C	

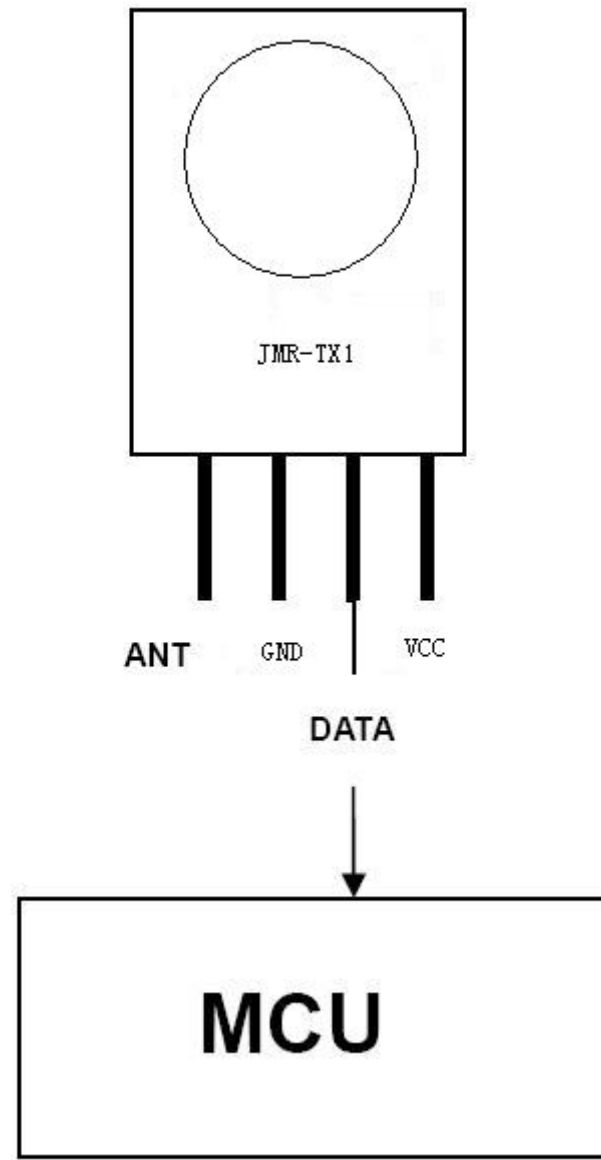
### Pin Dimension



Dimensions	Millimeters	Dimensions	Millimeters
<b>A</b>	<b>11+0.25mm</b>	<b>F</b>	<b>2+0.15mm</b>
<b>B</b>	<b>16+0.25mm</b>	<b>G</b>	<b>3+0.15mm</b>
<b>C</b>	<b>12+0.30mm</b>	<b>H</b>	<b>5.5mm</b>
<b>D</b>	<b>2.54+0.05mm</b>	<b>I</b>	<b>0.7+0.05mm</b>



**Typical Application:**



**Mark: .**

Antenna length about :23cm for 315MHz

17cm for 434mHz